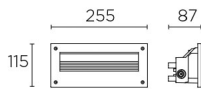


MICENAS LED Wall recessed

**Description**

Wall recessed for outdoor use.

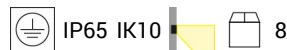
For frontal lighting and downlighting. Includes flush-mounting box. Includes 2 cable outlets to facilitate chain mounting. Structure material: High purity aluminium. Structure finish: Urban grey. Diffuser material: Glass. Diffuser finish: Matt. UV protection. Warranty: 2 Years.11Product net weight (Kg): 0.9201Product length (mm): 871Product width or diameter (mm): 2551Product height (mm): 11511Class 1. Glow wire test: 850. IP: IP65. IK: IK10. LED. No. of lampholders or LEDs: 15. LED brand: LEXTAR. Driver brand: EAGLERISE. Maximum power of light source: 5.5W. Colour temperature: Warm White - 3000K. Colour rendering index: 80. MacAdam Steps: 3. Hours of life: 50.000h L70B30. UGR: 6.8. Photobiological risk: RG0. Real flux (lm): 128. Nominal flux (lm): 648. Lm/Real W: 19. Voltage and frequency range: 100-240 VAC. Voltage: 3. Intensity: 117. Gear included: Yes, electronic. Multi-voltage gear included. Total power: 6.6W. Power factor: 0.81.

Finish

Urban grey
Matt

Material

High purity aluminium
Glass

**TECHNICAL CHARACTERISTICS****Light source**

Light source: LED LEXTAR
Output (W): 5.5W
Total power consumption (W): 6.6W
Color temperature: Warm White - 3000K
CRI: 80
Real Lumen: 128
Nominal Lumen: 648
Qty Leds: 15
Lm/Real W: 19
Life Time: 50.000h L70B30
Bin / Grup: VB/VC
MacAdam steps: 3
UGR: 6.8
Photobiological risk: RG0

GEAR

Brand: EAGLERISE
Gear included: Yes, electronic
Voltage / Frequency:
100-240VAC/50-60Hz
Power Factor: 0.81

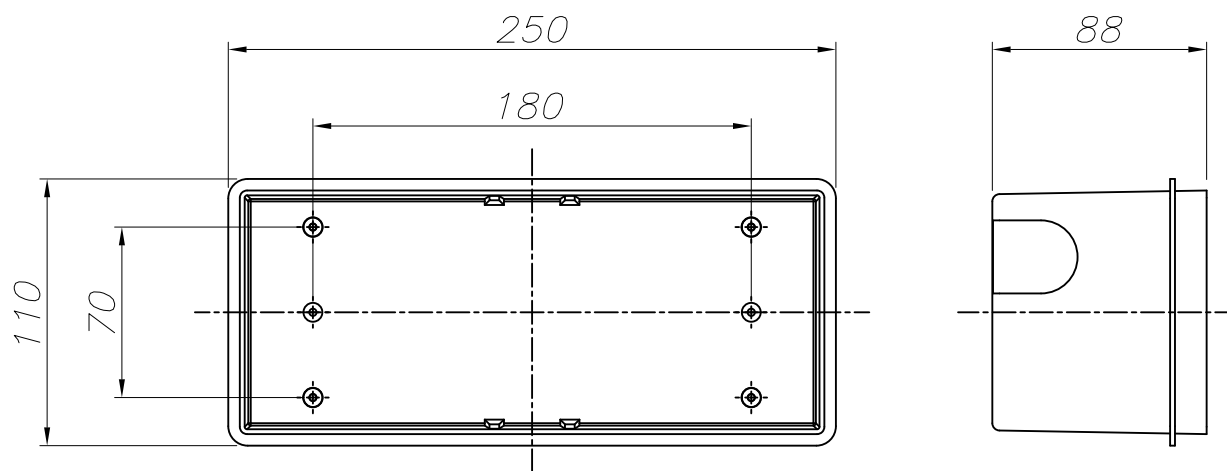
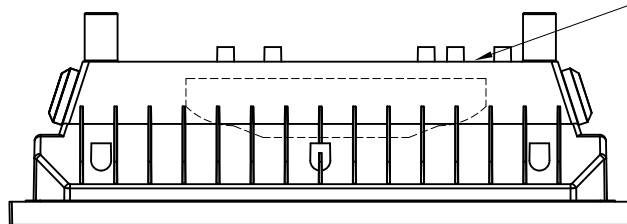
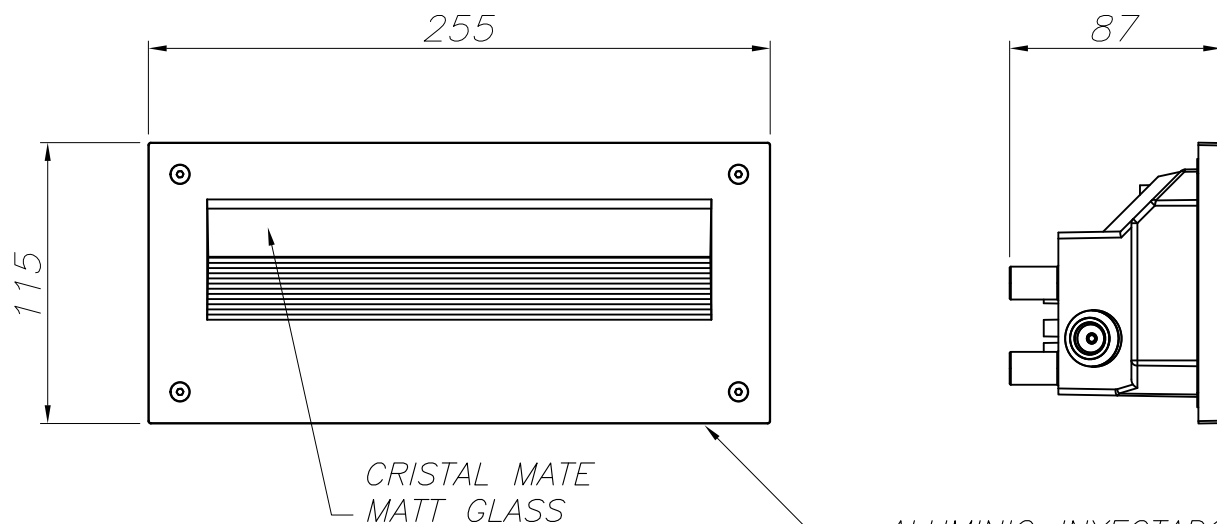
Luminaire

Double cable exit: Yes
Drainage: No
Uv Protection: Yes
Warranty: 2 Years

Logistics

Energy Efficiency: LED A++
EAN Code: 8435381454753
Net Weight (Kg): 0.920
Weight in Kg (packaged): 1.186
Packing: 270 x 130 x 120
Masterbox: 8

The photograph may not match the reference exactly. Please read the product description to identify the finish.



CAJA DE EMPOTRAR
FLUSH FITTING BOX

