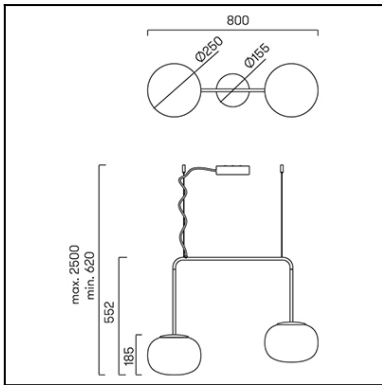


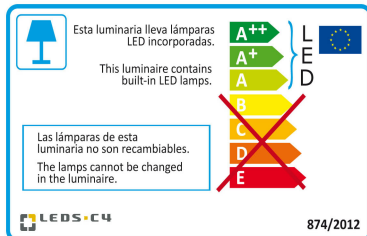
Design by Francesc Vilaró



The photograph may not match the reference exactly. Please read the product description to identify the finish.



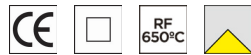
Download photometric file .ldt /.ies



Click on image to download energy label

TECHNICAL CHARACTERISTICS

Type:	Pendant
IP Protection degrees:	IP20
Light source 1:	2 x LED Cree
Bulb specified at the product label	14W Warm White - 2700K 1224 lm ^(N) CRI 80
Total power consumption (W):	16.3W
Voltage / Frequency:	100-240V/50-60Hz
Warranty:	2
Option to extend the guarantee:	5
Units per box:	20
Net Weight (Kg):	3.430
EAN Code:	8435381450168



MATERIALS / FINISHES

Structure material: Aluminium
Steel

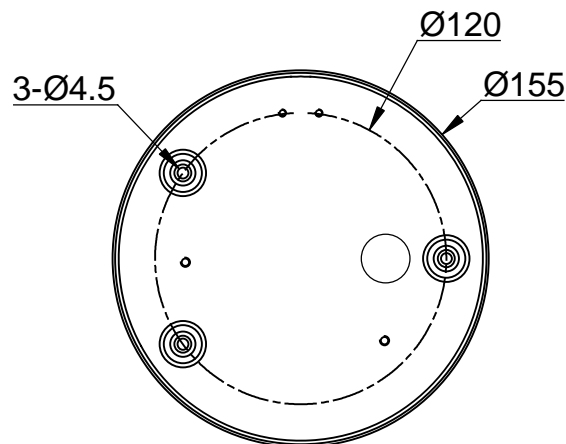
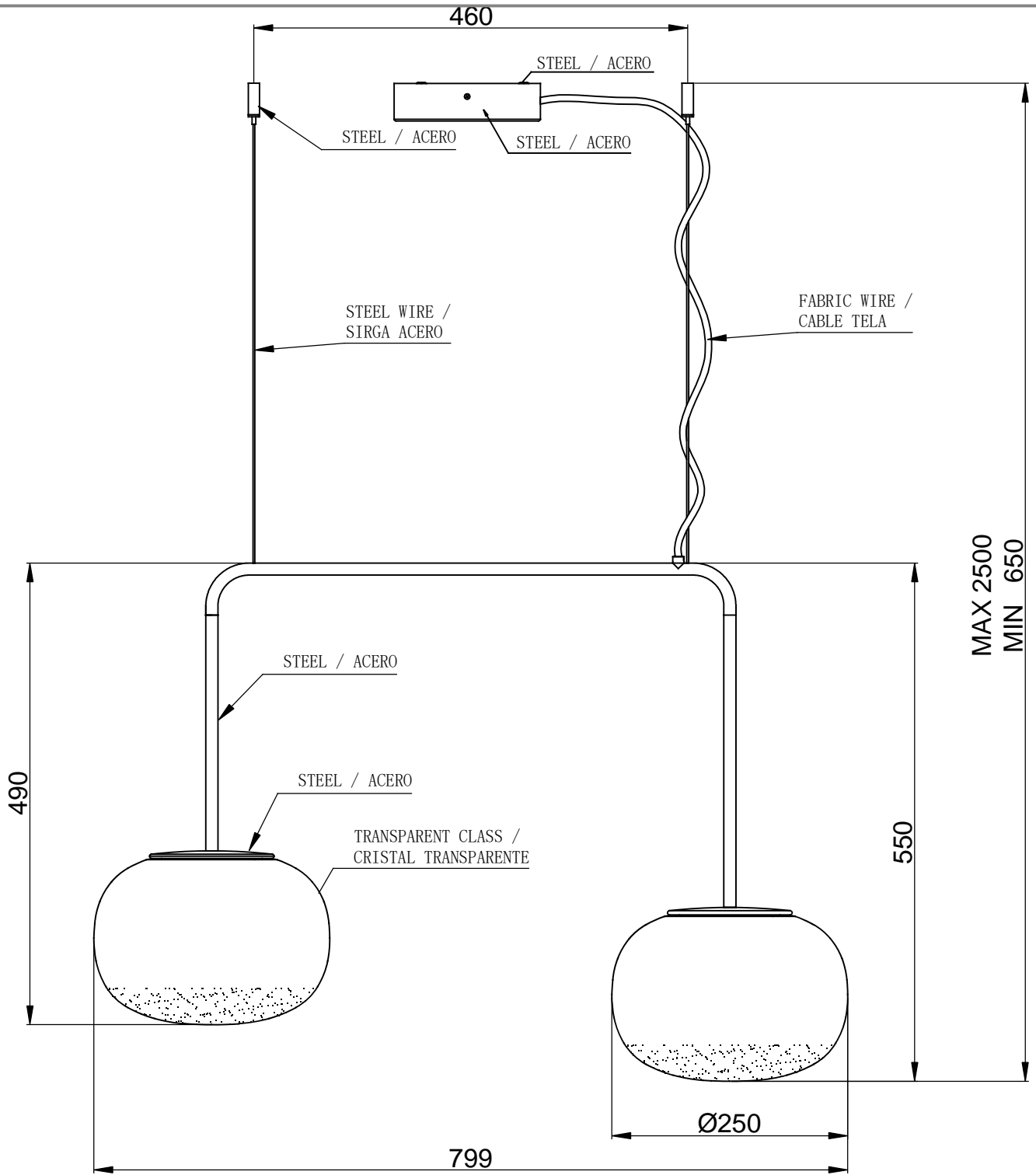
Diffuser material: Glass
Methacrylate

Structure finish: Matt white

Diffuser finish: Transparent
Tinted

GEAR

Multi-voltage electronic gear included (Yes)



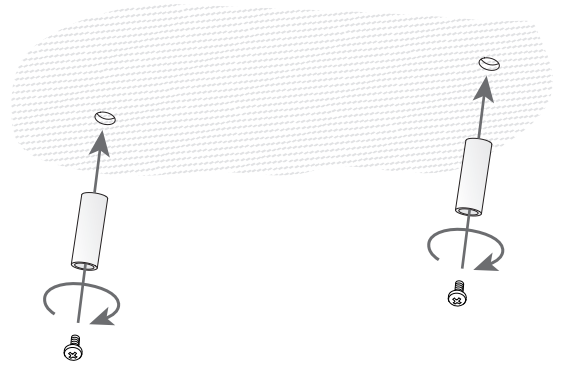
1



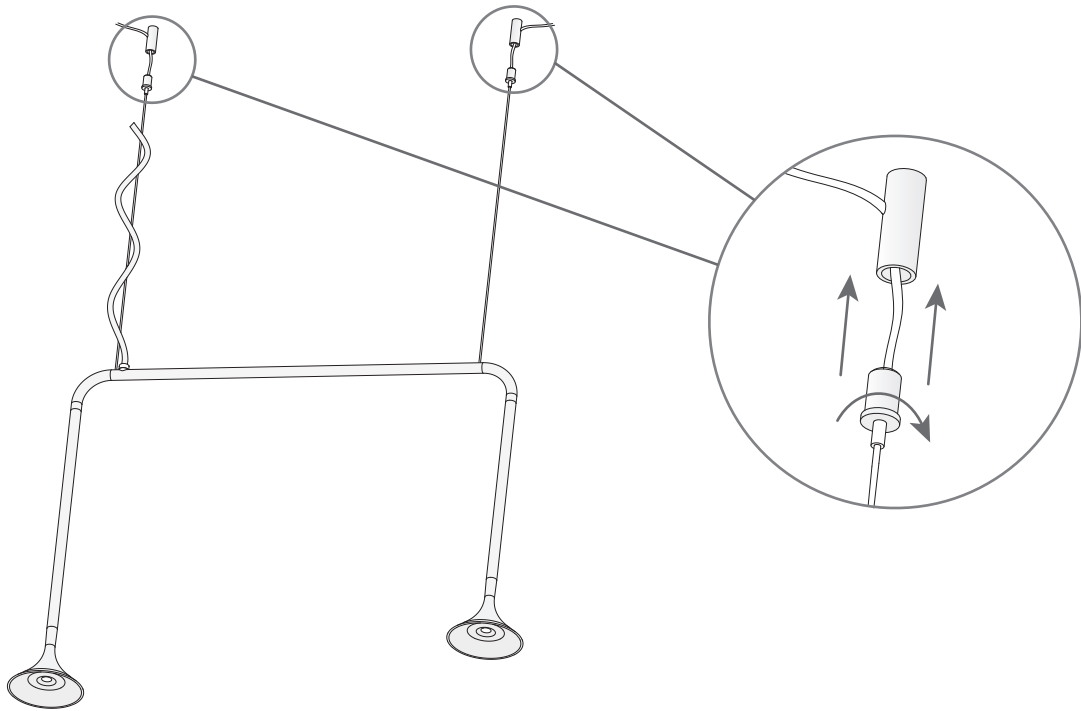
2



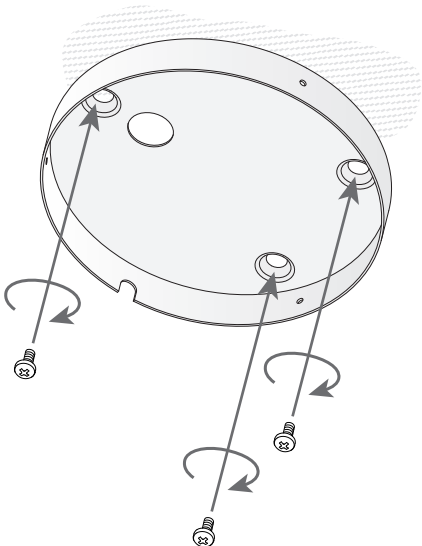
3



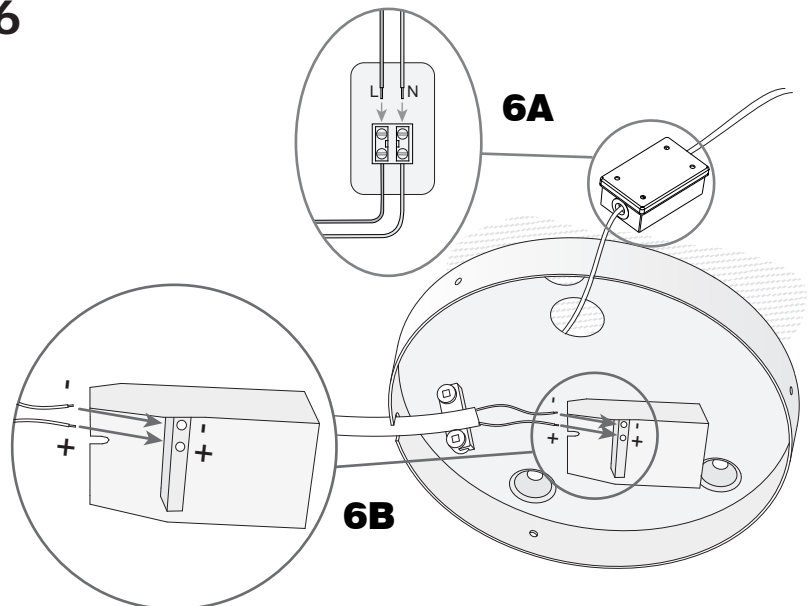
4



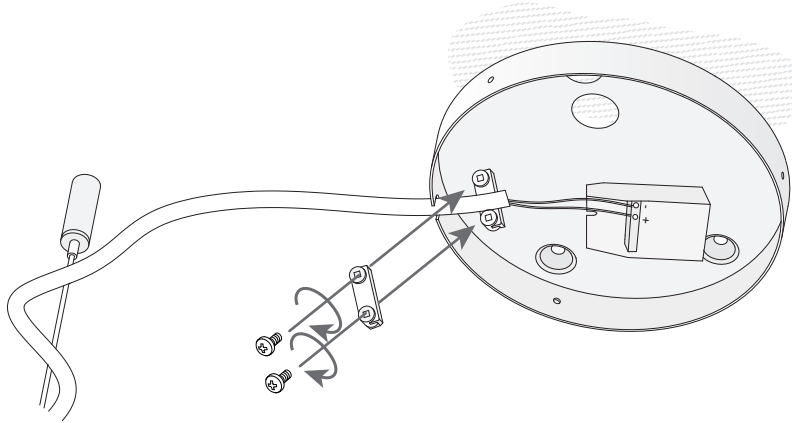
5



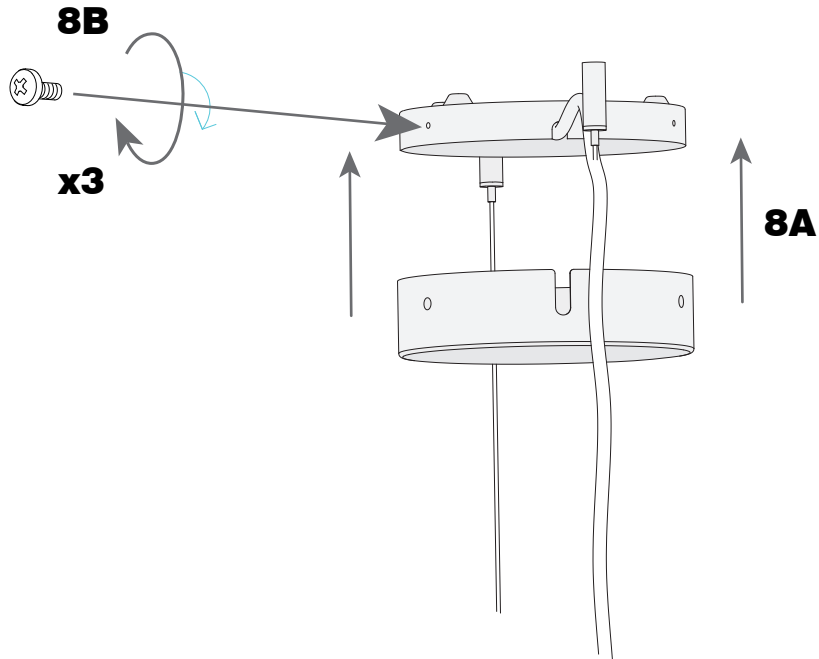
6



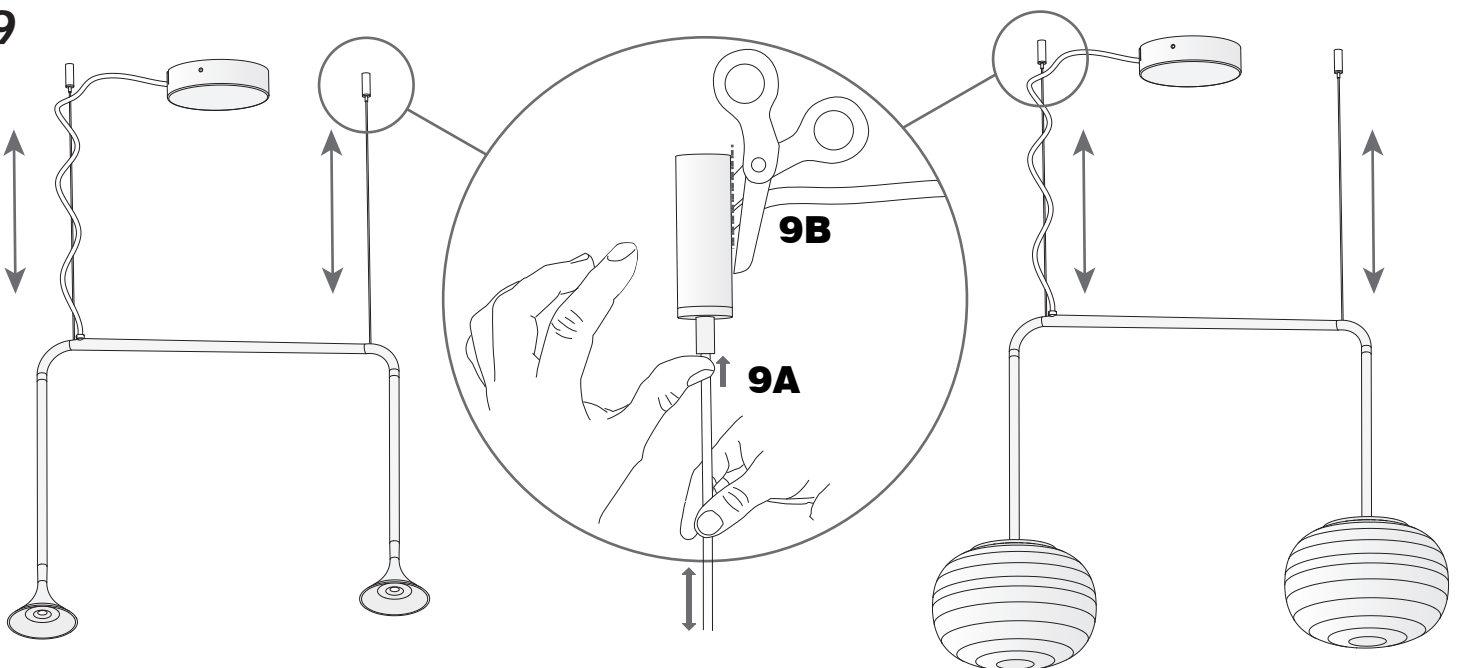
7



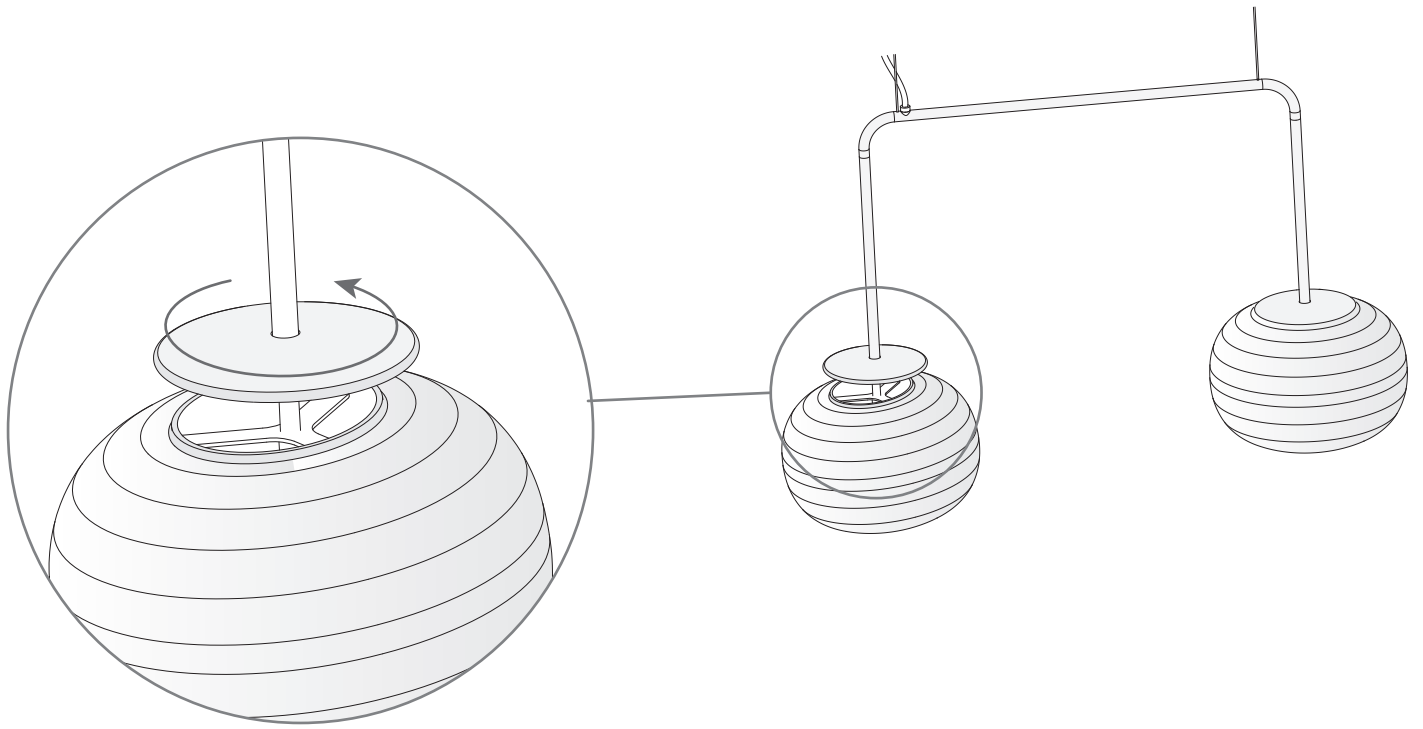
8



9



1



2

