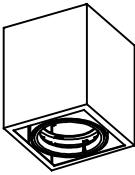
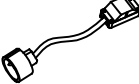


1 MULTIDIR SURFACE L STRUCTURES

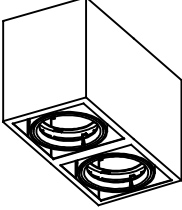
1 lamp




KIT GU10



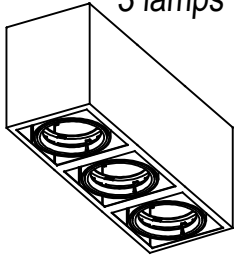
2 lamps



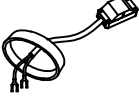
KIT LED




3 lamps



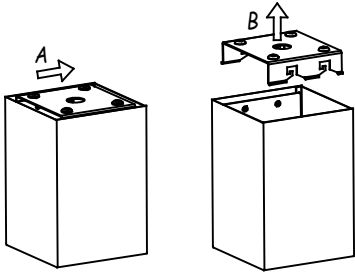
KIT G53



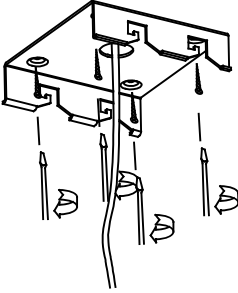
OFF



2


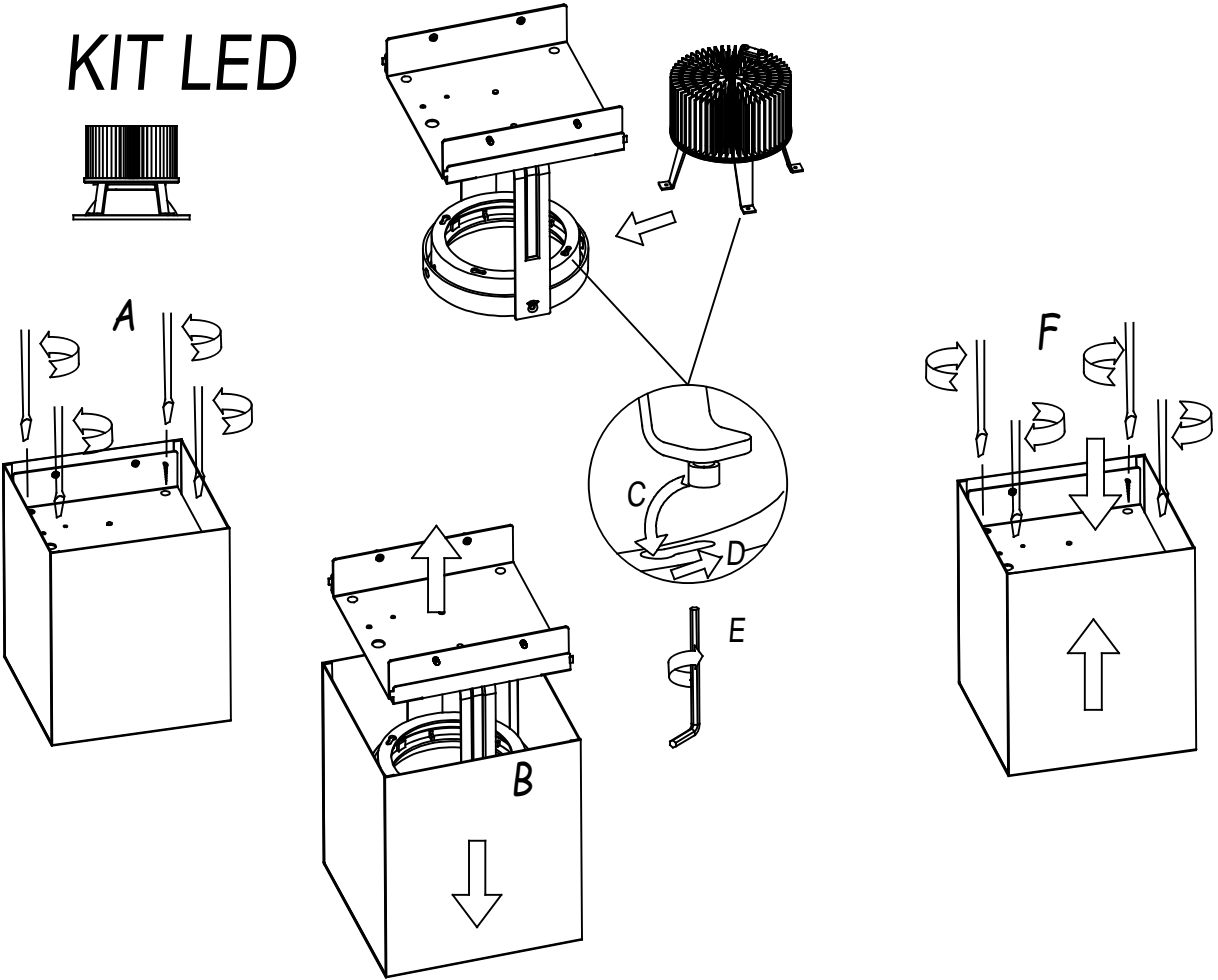


3

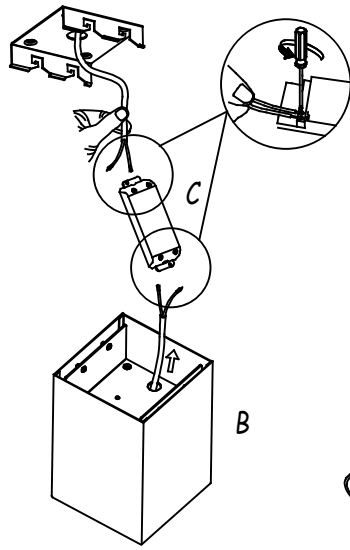
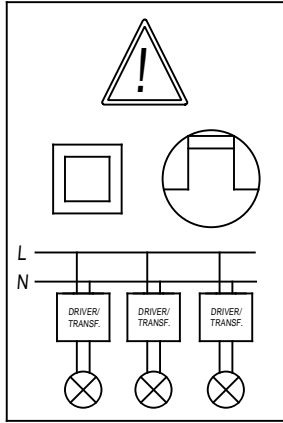


4

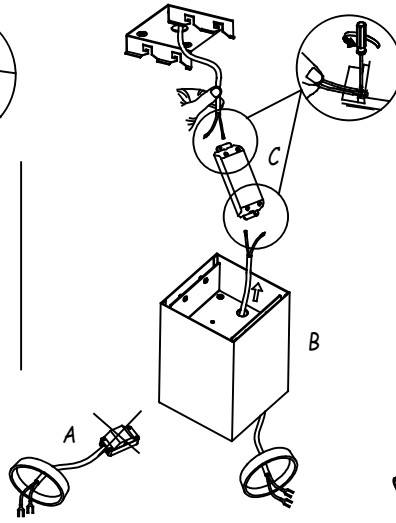
KIT LED

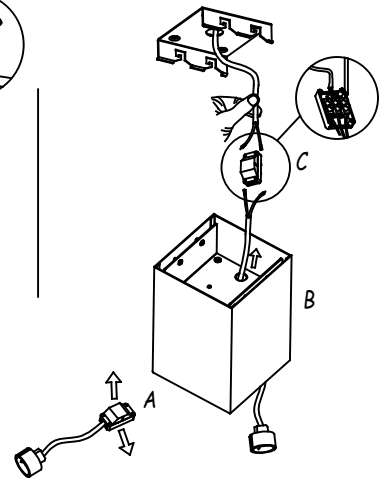
5



KIT LED

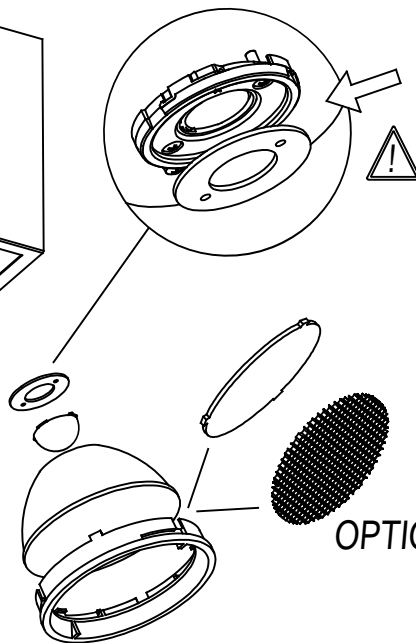
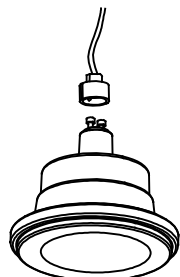
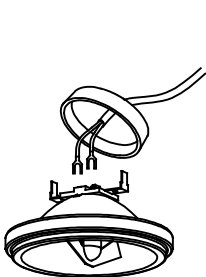
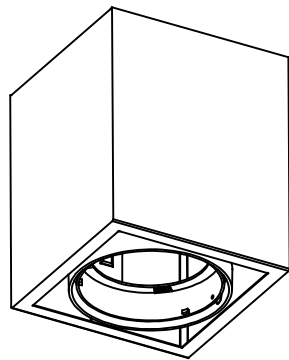
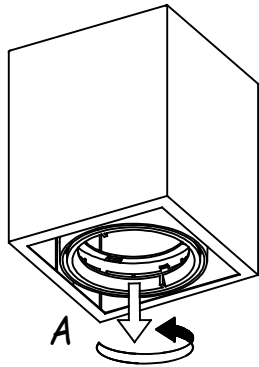


KIT G53

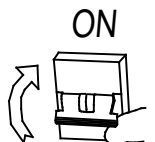
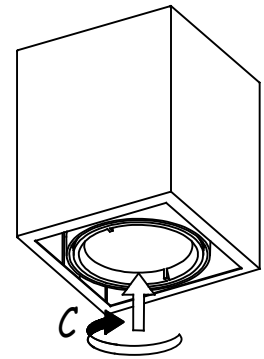


KIT GU10

7



OPTIONAL



6

